



**10/100M Single Port PoE Splitter with Dual Output  
5V/12V – 15.4W**

**OP-SP1F1A**



**Shenzhen Optostar Optoelectronics Co., Ltd**

**2013. 08(Version 2)**

## Overview

While working with the IEEE 802.3af power source equipment (PSE), and auto-detect the IEEE802.3af PoE equipment, protects devices from being damaged by incorrect installation. This single port PoE splitter supports the deployment from restrictions of power outlet locations, which eliminates the costs for additional AC wiring and reduces the installation time. Data and power transmission distance can be up to 100 meters.

For the cost saving and power management purpose, the OP-SP1F1A is the ideal IEEE802.3af Power over Ethernet device that splits the 48V DC into 5V/12V DC power output through the RJ-45 Ethernet cable. It complies with IEEE 802.3af Power over Ethernet, IEEE 802.3/802.3u 10/100Base-TX Ethernet standard.

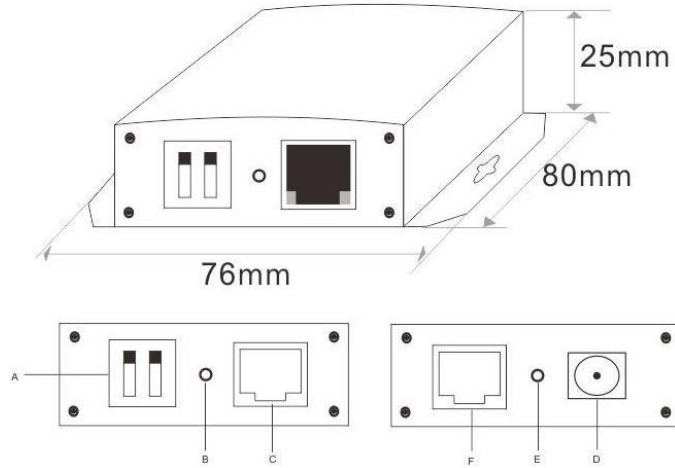
## Product Features

- Dual output, 5V/ 12V DC output, can be adjustable
- Compatible with IEEE 802.3af PSE devices
- Support 10/100M data transmission through RJ45 port
- Auto-negotiation and auto-MDIX fast Ethernet RJ45 port
- Both mid-span ( 4/5+, 7/8- ) and end-span ( 1/2+, 3/6- )
- IEEE 802.3i; IEEE 802.3u; IEEE 802.3x Flow Control; IEEE 802.1af DTE Power via MDI
- 100Base-TX (Less than 100, Catalogue 5 cable)
- Splits the 48V DC power over RJ-45 Ethernet cable into 5V/ 12V DC output

**Technical Parameter**

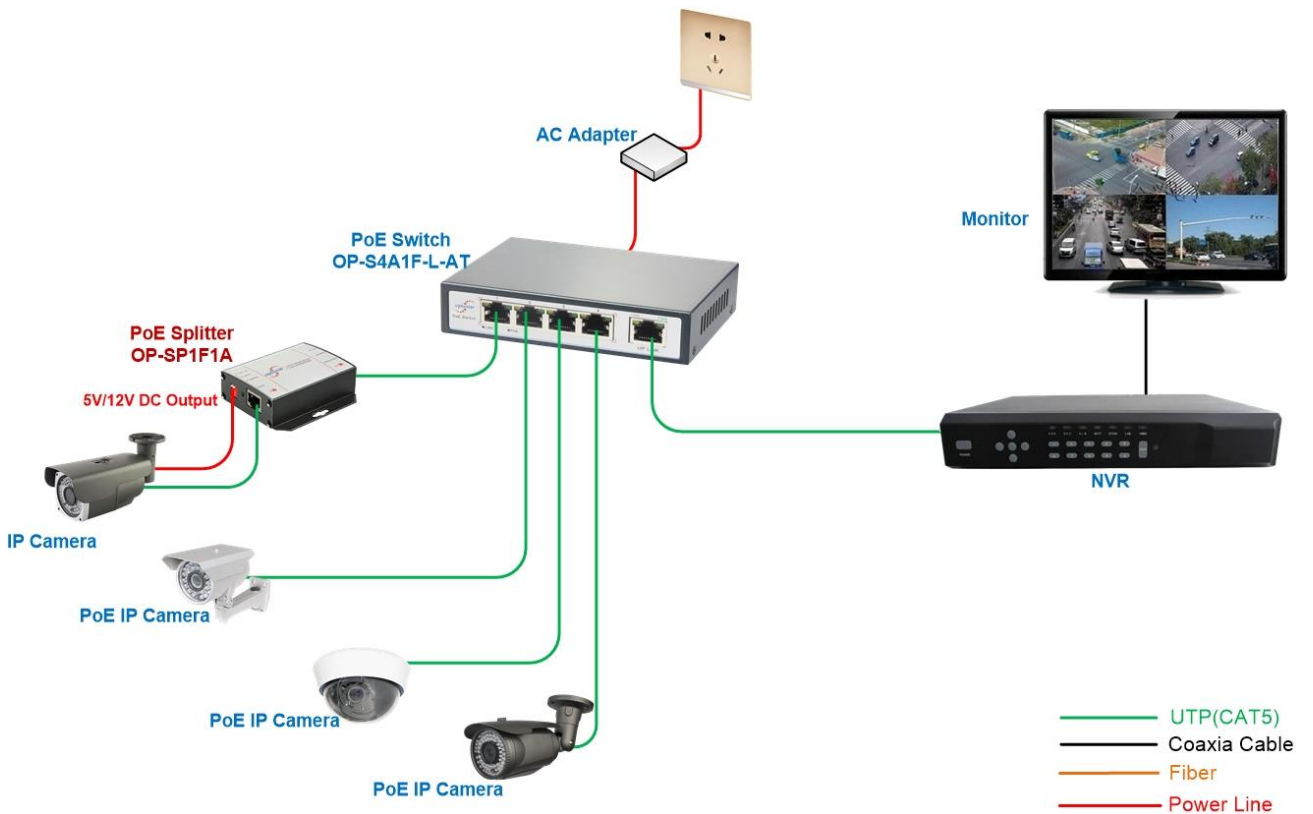
Item	Description
<b>Product Name</b>	10/100M Single Port PoE Splitter with Dual Output 15.4W
<b>Product Model</b>	OP-SP1F1A
<b>Description</b>	Splits the 48V DC power over RJ-45 Ethernet cable into different DC output; Compatible with IEEE 802.3af standard PSE devices
<b>Network Protocols and Standards</b>	IEEE 802.3i 10BASE IEEE 802.3u 100BASET IEEE 802.3x Flow Control IEEE 802.1af DTE Power via MDI IEEE 802.3af
<b>Port Description</b>	Input port: PoE port; Output: DC 5V/ 12V, RJ45 port
<b>Network Medium</b>	100Base-TX ( less than 100, Catalogue 5 cable)
<b>PoE Features</b>	IEEE802.3af
	Power over Ethernet, 15.4W(IEEE802.3af)
	Mid-span(4/5+, 7/8- ), end-span(1/2+, 3/6-)
<b>Dual Output</b>	5V/ 12V DC output
<b>Dimension</b>	LxWxH: 80X76X25mm, 0.113kg
<b>Working Environment</b>	Operating Temperature: 0 ° ~ 55 ° C Storage Temperature: -20 ° ~ 75 ° C Operating Humidity: 10% ~ 95%, non-condensing
<b>Safety</b>	CE Mark ,commercial, FCC Part 15 Class B, RoHS
<b>Warranty</b>	1 year warranty, life-long maintenance

**Product Size**



- A. 5V/12V DC Input Dial Switch
- B. PoE Input Status Light
- C. PoE Input Port
- D. DC Power Output
- E. DC Power Output Status Light
- F. Ethernet Output Port

**Application**





### Order Information

Model	Description
<b>OP-SP1F1A</b>	<b>10/100M; IEEE802.3af, 15.4W, 2x RJ45 ports, 1x DC port; 5V/ 12V DC output</b>
OP-SP1F1A-AT	10/100M; IEEE802.3at, 25.5W, 2x RJ45 ports, 1x DC port; 5V/ 12V DC output
OP-SP1G1E	10/100/1000M; IEEE802.3af, 15.4W, 2x RJ45 ports, 1x DC port; 5V/ 12V DC output
OP-SP1G1E-AT	10/100/1000M; IEEE802.3at, 25.5W, 2x RJ45 ports, 1x DC port; 5V/ 12V DC output

### Package include

No	Package List
1	10/100M Single Port PoE Splitter with Dual Output 5V/12V – 15.4W(OP-SP1F1A)
2	User Guide
3	Warranty Card

### Important Notice

Performance figures, data and any illustrative material provided in this data sheet are typical and must be specifically confirmed in writing by OPTOSTAR before they become applicable to any particular order or contract. In accordance with the OPTOSTAR policy of continuous improvement specifications may change without notice.

The publication of information in this data sheet does not imply freedom from patent or other protective rights of OPTOSTAR or others. Further details are available from any OPTOSTAR sales representative.

## Contact OPTOSTAR

### Shenzhen Optostar Optoelectronics Co., Ltd

Address:A-14,Haide Building,the Intersection of Nanxin Road and Haide Second Road Nanshan District Shenzhen,China .

Tel: +86-755-26400198 +86-755-26400288 Fax: +86-755-26411001

Email: [info@optostar.com.cn](mailto:info@optostar.com.cn)

Skype:ouyangroya

Web: [www.optostar.com.cn](http://www.optostar.com.cn)